



Type FL Low Profile NTC Temperature Sensor



Thermometrics Type FL Low Profile NTC Temperature Sensor consists of an NTC chip thermistor enclosed in a flat flexible circuit (FFC) with a thin-film protective coating. With its low profile (1.0 mm max thickness) and contour-conforming flexibility, this sensor is ideal for tight applications.

Applications

- EV/HEV Battery Pack Temperature Sensing

Features

- Flexible PCB conforms to contours
- Low profile (1.0 mm max thickness)
- Low mass for fast response
- AEC-Q200 qualified
- RoHS compliant (Directive 2002/95/EC)

Available Configurations	
Part Number	Overall Length
CTTS-203856-S02	61mm
CTTS-203856-F03	250mm
CTTS-203856-F04	500mm

Type FL - Specifications

Operating Temperature Range
-40°C to 80°C

R @ 25°C (77°F)
10KΩ (±3%)

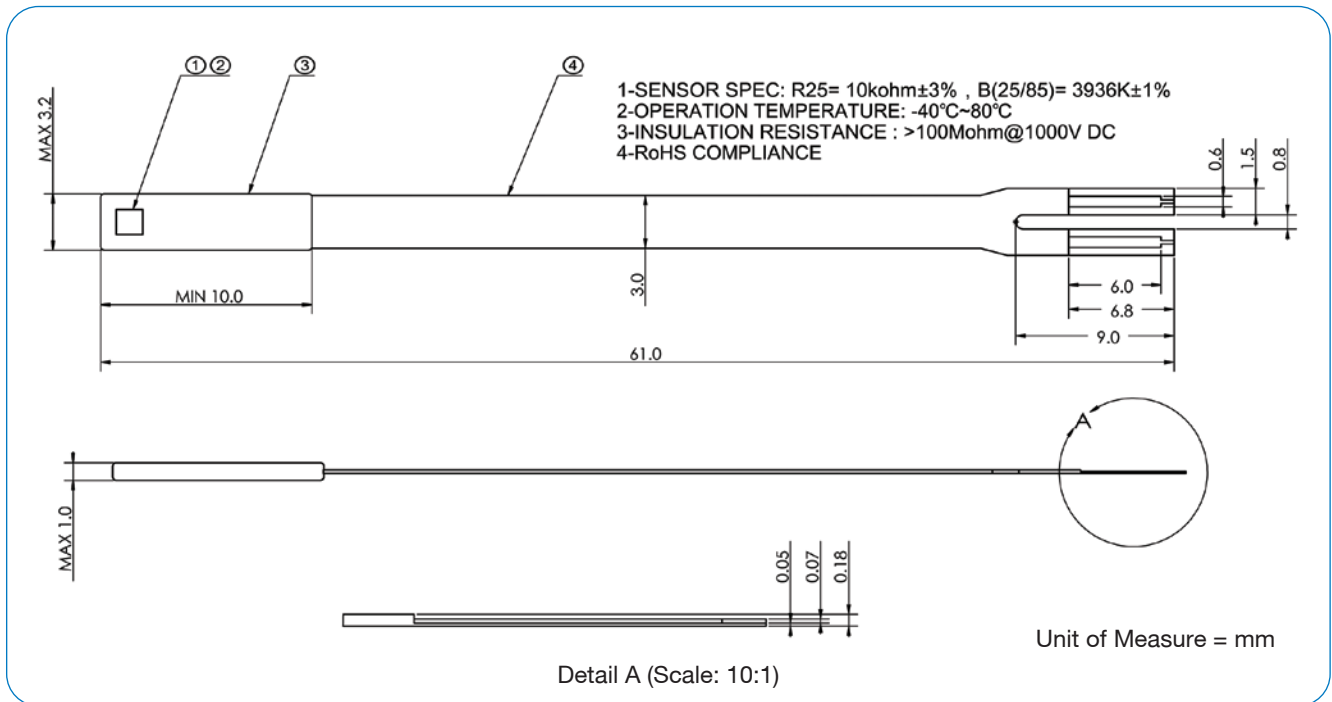
Insulation Resistance
>100MΩ @ 1000VDC

Storage Temperature Range
-40°C to 80°C

B(25/85)°C
3936K (±1%)

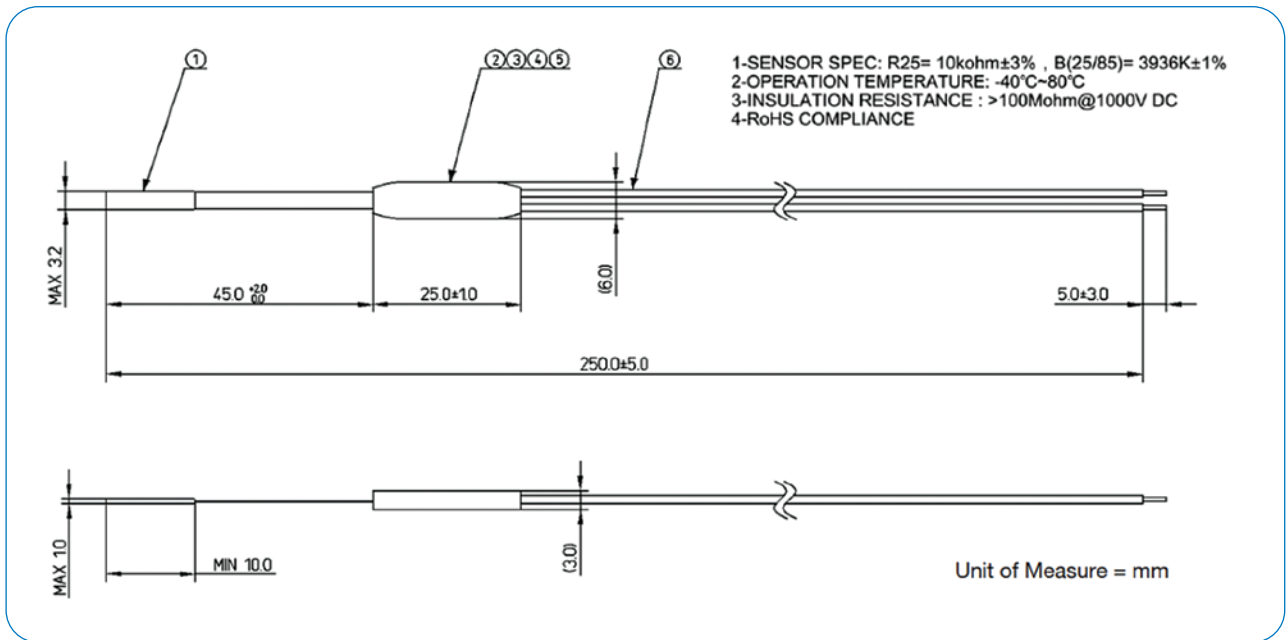
Ordering Information
CTTS-203856-S02

Temp. °C	R / R25	R nominal ohm	R minimum ohm	R maximum ohm	Resistance Tolerance - %	Resistance Tolerance + %	Temp. Tolerance + °C	Temp. Tolerance - °C	Alpha %/°C	B nominal K
-40	29.97	299415	280726	319060	-6.2	6.6	1	-1	-6.32	3635
-30	16.24	162258	153065	171848	-5.7	5.9	1	-1	-5.94	3673
-20	9.13	91180	86511	96014	-5.1	5.3	0.9	-0.9	-5.59	3707
-10	5.30	52995	50555	55503	-4.6	4.7	0.9	-0.9	-5.27	3738
0	3.18	31780	30472	33114	-4.1	4.2	0.8	-0.8	-4.97	3767
10	1.96	19618	18902	20343	-3.7	3.7	0.8	-0.8	-4.69	3793
20	1.25	12440	12040	12841	-3.2	3.2	0.7	-0.7	-4.43	3817
30	0.81	8086.8	7827.6	8347.2	-3.2	3.2	0.8	-0.8	-4.19	3839
40	0.54	5379.6	5185.9	5575.4	-3.6	3.6	0.9	-0.9	-3.97	3859
50	0.37	3655.9	3510.8	3803.7	-4.0	4.0	1.1	-1.1	-3.76	3878
60	0.25	2534.4	2424.8	2646.5	-4.3	4.4	1.2	-1.2	-3.57	3896
70	0.18	1789.6	1706.3	1875.2	-4.7	4.8	1.4	-1.4	-3.39	3912
80	0.13	1285.5	1221.6	1351.5	-5.0	5.1	1.5	-1.6	-3.23	3927

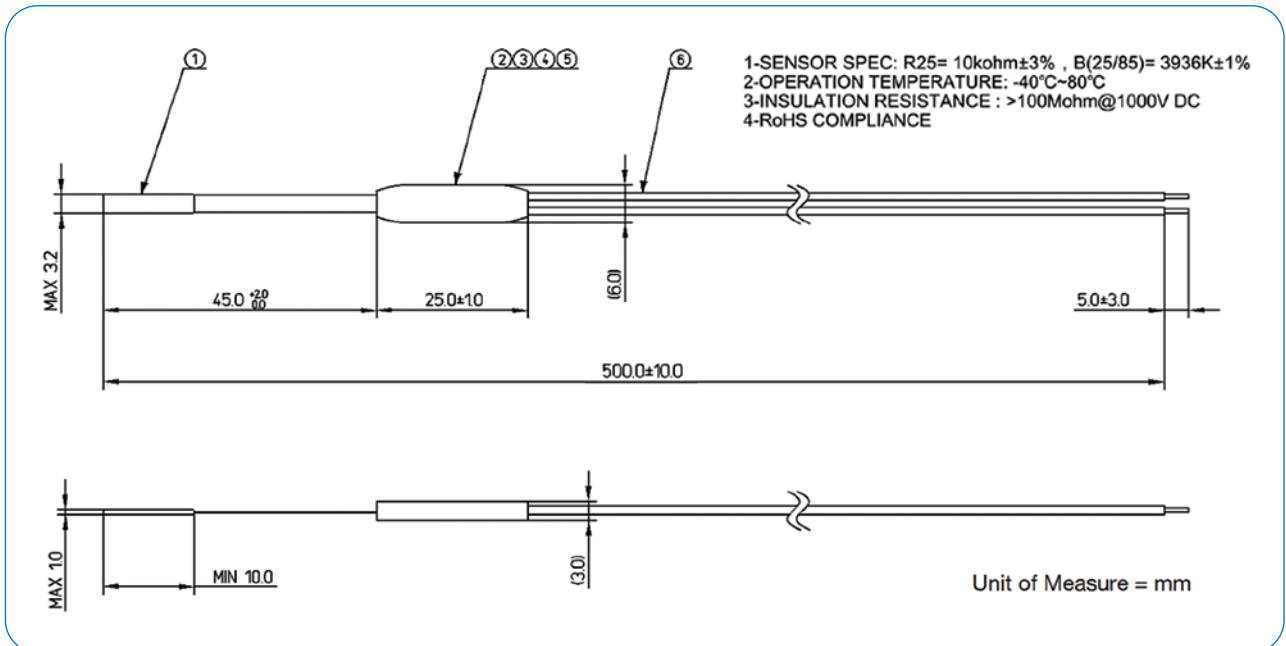


CTTS-203856-S02 Dimensions

Type FL - Mechanical Specifications



CTTs-203856-F03 Dimensions



CTTs-203856-F04 Dimensions

