



T H E R M O M E T R I C S
A C O M M I T M E N T T O E X C E L L E N C E

TFT

Transmission Fluid Temperature Sensor



The Transmission Fluid Temperature sensor measures the temperature of the transmission fluid. It provides input to the control module to modify shift patterns for smoother shifting in automatic transmission, and also provides over-temperature protection by locking the torque convertor.

Applications

- Transmission fluid temperature

Features

- Integral connector
- Twist and lock design for easy installation
- Anti-rotation lock feature
- Existing field proven design
- Alternate RvT curves available
- Different geometries to meet package requirements

Amphenol
Advanced Sensors

Specifications

Operating Temperature Range

-40°C to 160°C

Storage Temperature Range

-40°C to 160°C

R @ 25°C

30,000 ohms ± 5% at 25°C

B (25/85)

3943

Response Time

17 seconds from 25°C to 100°C liquid to liquid

Temperature Accuracy

±1.16°C @ 25°C

Housing Material

Polyamide 6/6 HS Black

NTC part number

0503-17560-951-S6

Weight

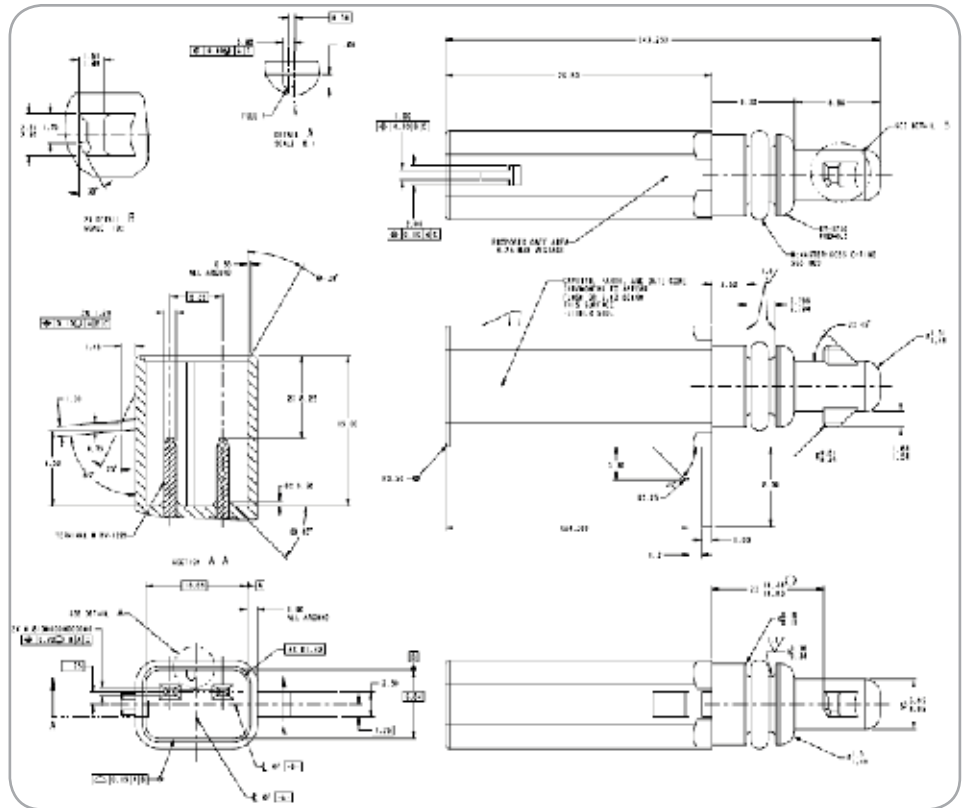
2.9 grams

Connector

Must mate with FCI S4200285

Mating Connector

FCI S4200285



Resistance vs. Temperature Data

Resistance = 30,000 Ohms at 25.00 °C

Temp. (°C)	Rnominal (ohms)	Res. Tol. ±%	Rmin. (Ohms)	Rmax. (Ohms)	Temp Coef (%/°C)	Temp Accy (±°C)
-40.00	925021	10.00	832519	1017523	6.45	1.55
-30.00	496051	10.00	446446	545656	6.02	1.66
-20.00	276959	5.00	263111	290807	5.64	0.89
-10.00	160313	5.00	152297	168329	5.30	0.94
0.00	95851	5.00	91058	100643	5.00	1.00
10.00	59016	5.00	56065	61967	4.71	1.06
20.00	37352	5.00	35484	39219	4.45	1.12
25.00	30000	5.00	28500	31500	4.32	1.16
30.00	24239	5.00	23027	25451	4.21	1.19
40.00	16092	5.00	15288	16897	3.99	1.25
50.00	10908	5.00	10363	11454	3.78	1.32
60.00	7556	5.00	7178	7934	3.57	1.40
70.00	5337	5.00	5070	5603	3.39	1.48
80.00	3837	5.00	3645	4028	3.22	1.55
90.00	2804	5.00	2663	2944	3.06	1.63
100.00	2080	5.00	1976	2184	2.92	1.71
110.00	1564	5.00	1486	1642	2.79	1.79
120.00	1191	5.00	1131	1251	2.66	1.88

Amphenol
Advanced Sensors

www.amphenol-sensors.com

© 2014 Amphenol Corporation. All Rights Reserved. Specifications are subject to change without notice. Other company names and product names used in this document are the registered trademarks or trademarks of their respective owners.

AAS-920-541A-03/2014